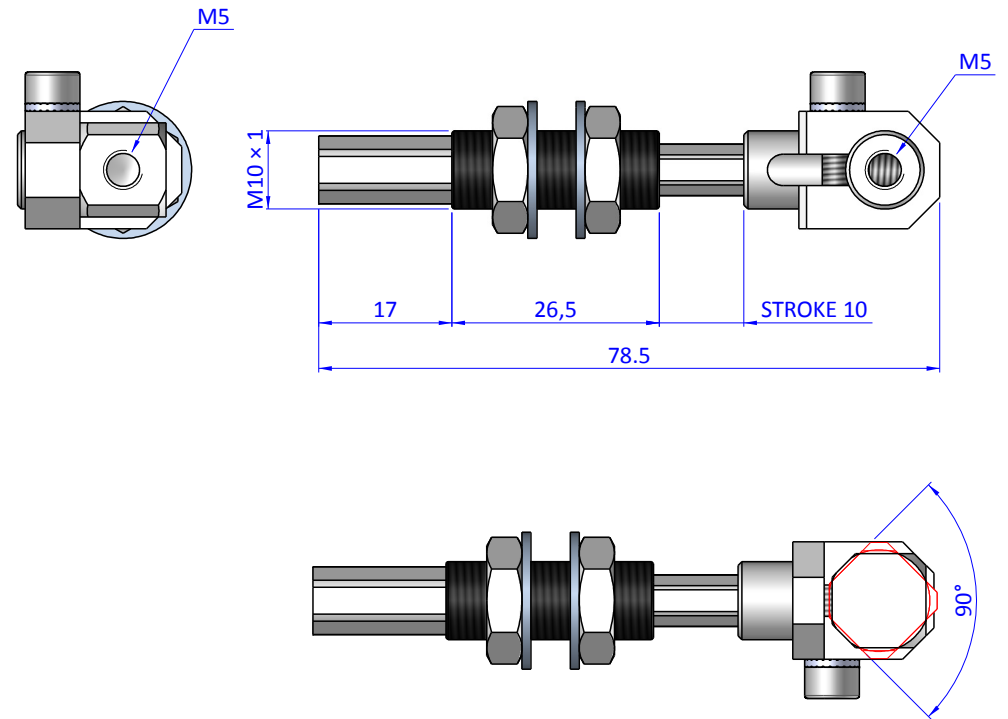
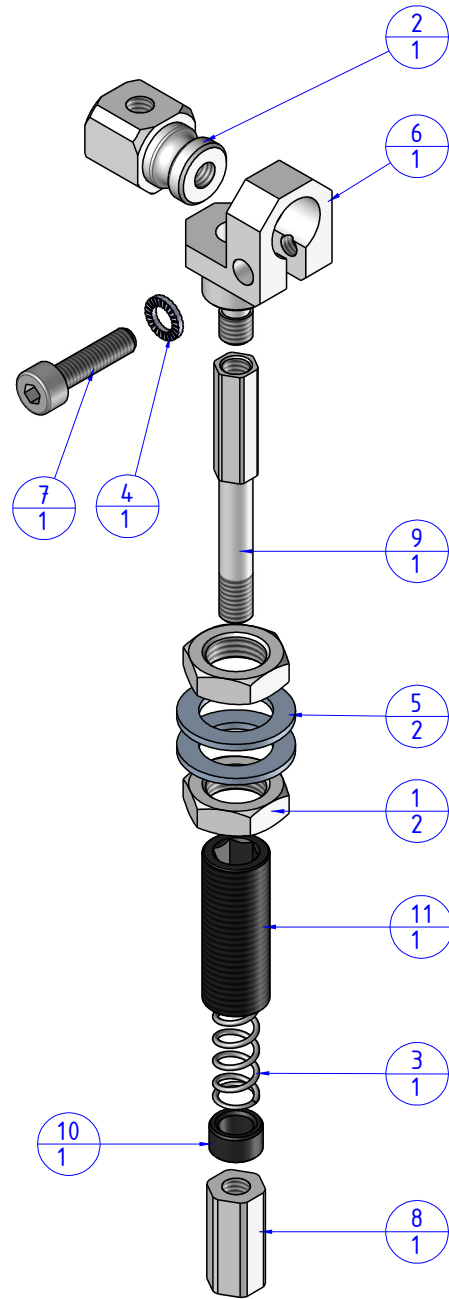



THE PROPERTY OF THE DRAWING IS ESTABLISHED BY LAW. IT IS FORBIDDEN TO PRODUCE OR SHOW IT TO THIRD PART. WITHOUT A WRITTEN AGREEMENT.

Item	Name	Qty.
1	05.01.005.06	2
2	GGB.10.5.5	1
3	M.5.9X20B	1
4	R.4.SCH	1
5	R.10.SCH	2
6	SSN.10100505.1	1
7	V.TCE4x16	1
8	VSN.10.1	1
9	VSN.1010.4	1
10	VSN.1025.3	1
11	VSNG.1010.2.1	1



Format A3

UNI 936-76

 <b>FPS</b> FPSERVICES AUTOMATION		DESIGNED FROM		REVIEW
		FPS Automation		A
GENERAL TOLERANCE		DATE	WEIGHT	
UNI - ISO 2768		08/07/2019	0,025kg	
CLASSE f		CODE		
		CA.SSNG.10100505		